

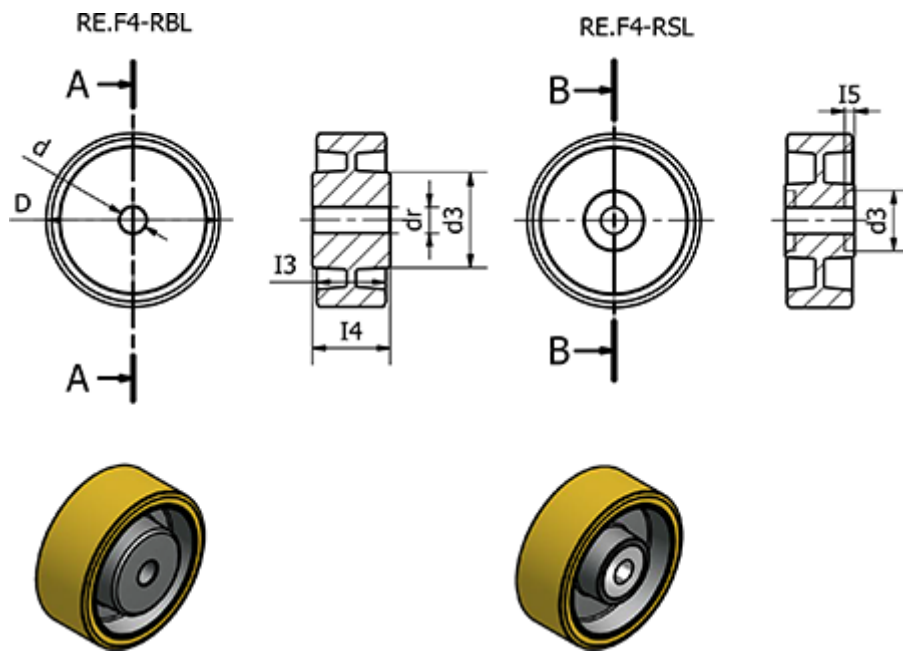
# Data Sheet



Article number: 2314451402

Description: E+G Cast iron wheel 451402  
RE.F4-125-RBL - loose wheel

## Measures



Code	= 451402	Max static load (N)	= 6000
d	= 125	Rolling resistance (N)	= -
d3	= 60	Type	= RE.F4-125-RBL
dr	= 30	Weight (g)	= 1300
Dynamic carrying capacity (N)	= 4000		
I3	= 40		
I4	= 60		
I5	= -		